

SAFEGUARDS AND WARNINGS

⚠ WARNING

Installation and servicing is only to be carried out by suitably qualified and experienced personnel.

This product is designed for use in general purpose CCTV applications and has no other purpose.

This product is designed to operate in a class 2 indoor general environment and must not be installed where exposed to rain or moisture.

This product must be powered from a class 2 isolated power source as supplied.

CERTIFICATIONS

This product meets the requirements of the following standards:

Electromagnetic Compatibility

EN55022:1995 Limits and methods of measurement of radio disturbance characteristics of information technology

EN50082-1:1992 Electromagnetic compatibility - Generic Immunity standard

Comprising:

IEC 801-2:1991 Electrostatic discharge

IEC 801-3:1984 Radiated electromagnetic fields

IEC 801-4:1988 Fast transient bursts

Safety

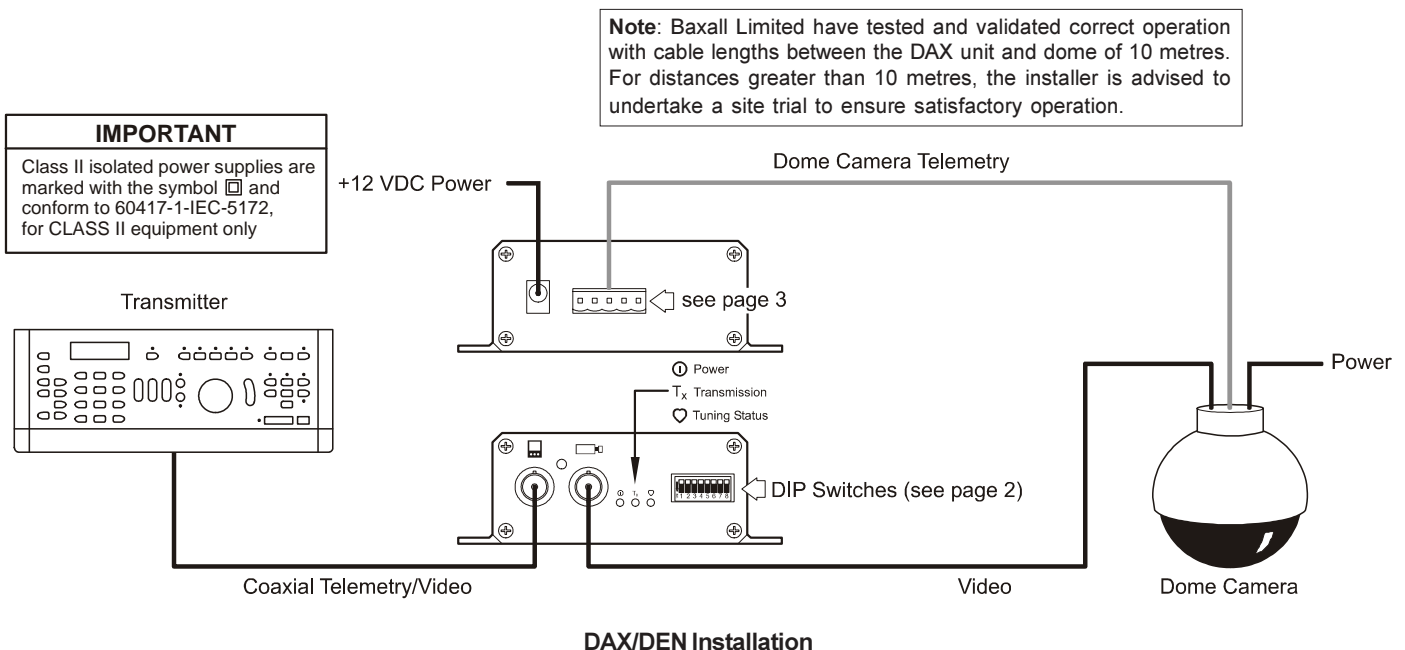
EN 60950:1992 Safety of information technology equipment, including electrical business equipment

DECLARATIONS

The manufacturer declares that the DAX unit supplied with this manual is compliant with the EMC directive 89/336 EEC and the low voltage directive 73/23/EEC and 93/68/EEC.

DESCRIPTION

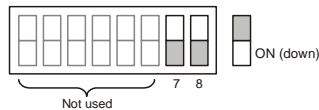
The DAX/DEN converts Baxall coaxial telemetry into Dome telemetry. It connects between the transmitter and dome camera in the coaxial line as shown below. The DAX/DEN requires a +12 VDC or 24 VAC class 2 isolated power supply.



SWITCH SETTINGS

Your DAX/DEN is compatible with Dennard Dome cameras of type 2050. DIP switches are used to set the mode of autopan as shown below:

Switch 7 ON:	Extended preset mode enabled.
Switch 7 OFF:	Use Wipe key to access presets 9-16 (see below).
Switch 8 ON:	Dome will perform an autopan function.
Switch 8 OFF:	Dome will cycle (pan and tilt) through presets 1 to 16.

**STORING AND RECALLING PRESETS**

Presets are programmed using the steps described below. However, the Dennard dome enters a menu screen to enable a title to be added to the preset. Control within the menu is as described under **Menu Mode** below with the exception that the Autopan (↔) key is used to make menu selections. You must press this key twice; once to make the selection and once to de-select the selection. When completed, the menu system is exited by using the **Select** or **Cancel** option.

To store a preset using a ZTX6:

1. Press the Function (F) key.
2. Enter the preset number*.
3. Press the Preset (X) key.

To store a preset using a ZMX:

1. Press the Function (F) key and then the Preset (X) key.
2. Enter the preset number*.

To recall a preset using a ZTX6:

1. Enter the preset number*.
2. Press the Preset (X) key.

To recall a preset using a ZMX:

1. Press the Preset (X) key.
2. Enter the preset number*.

* Preset numbers can be between 1 and 16. To enter the number for a preset that is between 1 and 8, make sure the Wipe (W) key is set to OFF and use the numbers 1 to 8 on the keyboard. To enter the number for a preset that is between 9 and 16, make sure the Wipe (W) key is set to ON and use the numbers 1 to 8 on the keyboard.

EXTENDED FEATURES**Menu Mode**

Entry to the dome menu system is achieved by using a combination of the Preset (X) and Camera Power (CAM) keys. The menu system enables a range of set-up and configuration settings to be made. These are detailed within the Dennard manual.

To enter and navigate the dome menu system:

1. Select the dome camera to be accessed.
2. Enable telemetry by pressing the Telemetry (T) key (this is required on ZMX/... and Vista products).
3. Set the Wipe (W) and Camera Power (CAM) keys to ON.
4. Press 6 then the Preset (X) key.
5. You should now have the menu access screen on the display monitor.
6. Within the menus you can use the tilt control (joystick) to move up and down, the pan controls to change menu values and the Wash (W) key to make menu selections.
7. When all menu operations are complete, exit the menu and switch off the Camera Power (CAM) and Wipe (W) keys.

INSTALLATION

All video is 1 V pk-pk composite via 75 ohm video coaxial cable and BNC connectors. The connections to your DAX/DEN are shown on the case and in the schematic overleaf. The camera ID number should be set to one (see your camera instructions). For best results from the auto-tune feature ensure that a telemetry signal is being sent by the transmitter immediately after your DAX/DEN is powered up.

- Connect the +12 VDC and the Dome Camera's RS422 extension lead to the connectors on the Interface Unit according to the schematic.
- Connect the Interface Module to your transmitter and to your dome camera according to the schematic.
- Since the DAX/DEN has internal termination, ensure that the dome camera is terminated i.e. termination ON.

SPECIFICATION

Inputs: Baxall-coaxial-telemetry as defined by the Baxall coaxial telemetry specification, +12 VDC; 24 VAC.

Output: Dome Camera telemetry RS485.

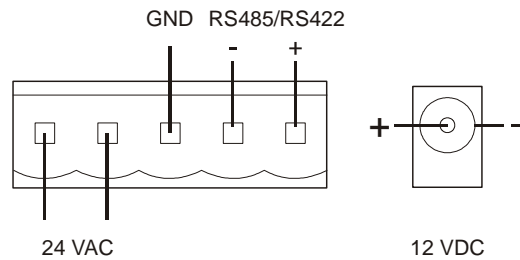
Power: nom. +12 VDC (min. 8.0 VDC max. 24 VDC) class 2 isolated, 50mA max. (0.6 Watts); 24 VAC.

Power Supply: 230 VAC to +12 VDC class 2. Max 200mA.

Dimensions: 115 x 107 x 37 mm. (WxDxH)

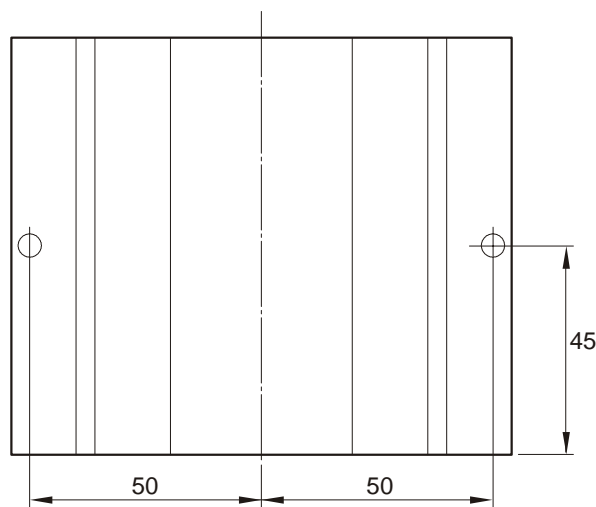
Temperature limits: Only use this product between the temperatures of -10° and +40° C.

CONNECTOR PIN-OUT



IMPORTANT: The 24 VAC power supply must be a class 2 type. Do not make any connection to ground.

MOUNTING



Baxall Limited, Stockport, England. Visit our Web site: <http://www.baxall.com>

Baxall Limited reserve the right to make changes to the product and specification of the product without prior notice to the customer.